

AutoTube Marker

Fully-Automated Robotic Laser System

The Automatic Tube Marking System is a robotic tool for precision laser marking of high-value tubular parts, such as those used in medical devices. It provides a complete, automated solution allowing unattended operation. It incorporates robotic part loading/unloading, machine vision/validation, a choice of laser sources (fiber laser, solid state or ultrashort pulse) and 100% inspection, including part length, diameter, and mark contrast and content.



FEATURES & BENEFITS

- Automatic part processing from bulk infeed handling, part manipulation for marking and inspection, and elevation controlled output bin
- 100% part inspection (length, diameter, mark contrast and content)
- Part reject bin for parts not passing inspection criteria
- Efficient machine setup with dedicated HMI
- Unattended operation for up to 30 minutes
- Internal motion and processes are fully automatic
- Increased manufacturing flexibility and versatility to easily adapt future parts
- Complete vision system
- Industry 4.0 Compatible
- CDRH Class I and CE certified

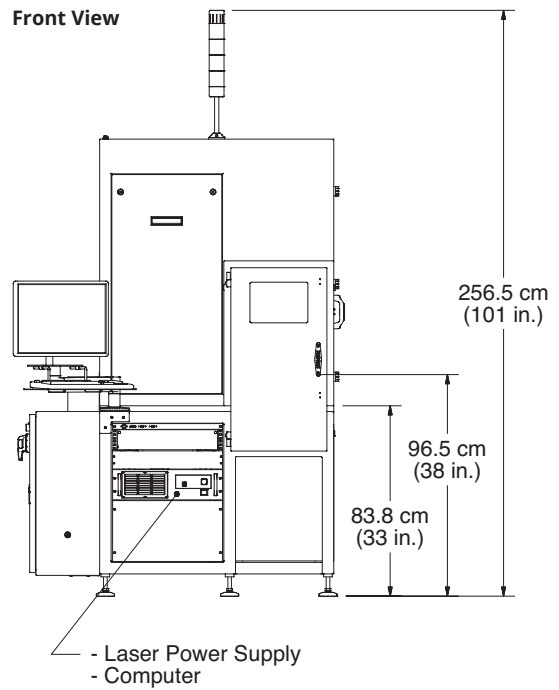
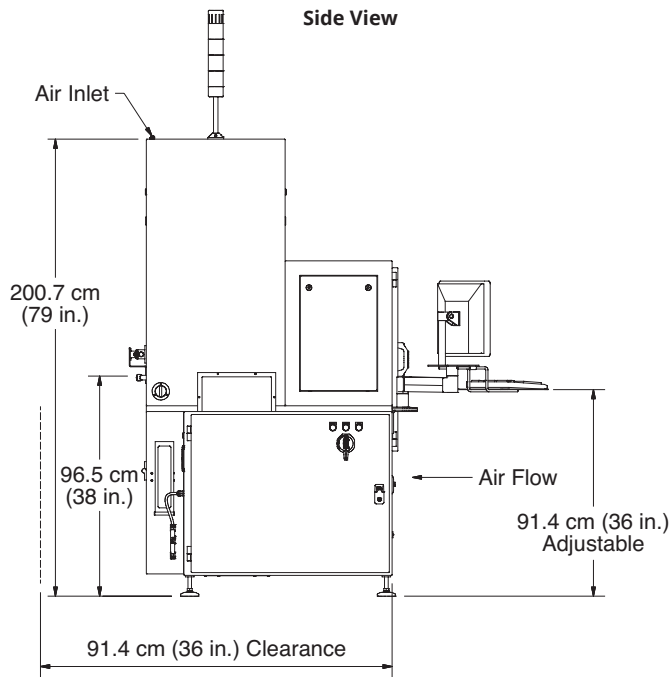
APPLICATIONS

- Marking
- Ablating
- Surface Modification

SYSTEM SPECIFICATIONS		Automatic Tube Marking System	
CDRH Classification		Class 1 Workstation	
Ambient Temperature		15 to 35°C (59 to 95°F), non-condensing	
Sound Level [dB (A)]		<70	
System Weight (estimated)		453.6 kg (1000 lbs)	
System Footprint (L x W x H)		1549 x 1204 x 2200 mm (60.98 x 47.40 x 86.61 in.)	
Fume Extraction (cfm)		300	
Vision		Application Dependent	
Reject Part Bin		~20 part capacity	
Output Part Bin		Up to 1100 part capacity pending diameter	
Input Part Bin		Up to 1100 part capacity pending diameter	
FACILITY REQUIREMENTS			
Supply Voltage		20A / 220VAC / 60 Hz, 1-Phase	
Laser Wavelength (nm)		1064, Class 1	
Compressed Air (PSI)		80, dry, clean, and filtered air	
Vacuum		24" Hg at 0.06 cfm	
TUBE SPECIFICATIONS			
Diameter (mm)		3 to 12	
Length (mm)		50 to 300	
Straightness		Application Specific	
LASER			
Powerline Fiber 20			
OPTIONS			
Powerline E Series			
Rapid NX			
Various Optics			

MECHANICAL SPECIFICATIONS

Automatic Tube Marking System



Coherent, Inc.,
5100 Patrick Henry Drive Santa Clara, CA 95054
p. (800) 527-3786 | (408) 764-4983
f. (408) 764-4646

tech.sales@coherent.com www.coherent.com

Coherent follows a policy of continuous product improvement. Specifications are subject to change without notice. Coherent's scientific and industrial lasers are certified to comply with the Federal Regulations (21 CFR Subchapter J) as administered by the Center for Devices and Radiological Health on all systems ordered for shipment after August 2, 1976.

Coherent offers a limited warranty for all Automatic Tube Marking Systems. For full details of this warranty coverage, please refer to the Service section at www.coherent.com or contact your local Sales or Service Representative. MC-044-19-0M1019 Copyright ©2019 Coherent, Inc.