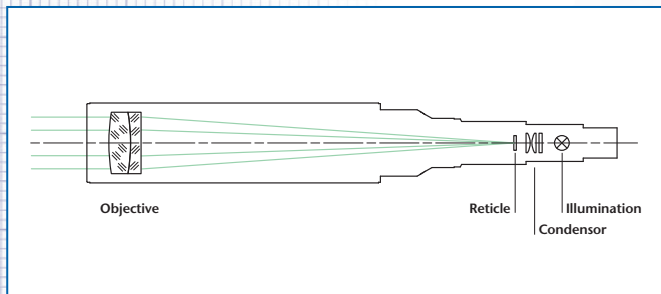


# COLLIMATORS

## Description:

For a general description of the operating principle of collimators see page 6.

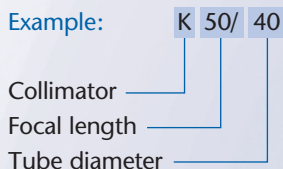


## Application examples:

- Measurement of angular displacements (in conjunction with a telescope)
- Testing of the infinity setting of camera objectives
- Testing of the imaging properties of optical elements and systems

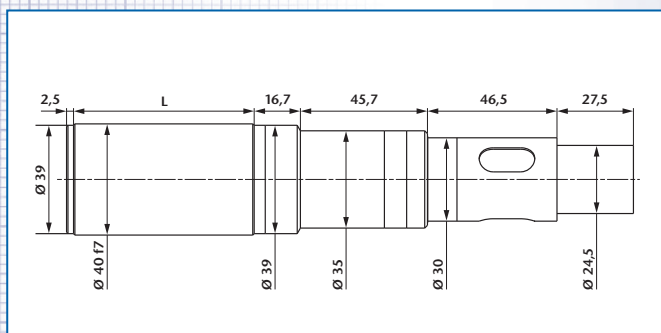
## Notes on ordering:

- One reticle, 6V/5W illumination w/cord are included in the delivery.
- If not specified otherwise, the collimator is adjusted to infinity at 546 nm wavelength. Adjustment to other distances or wavelengths is also possible on demand.
- The nomenclature of the collimators is as follows:



## Important:

Please specify illumination (LED-, bulb or cold light, see page 81) and reticle (see page 82) when ordering.



Ord.-No.	Description	Focal length	Free aperture	Field of view	L
225 004	K 50/40	50	10	10,0°	65
225 005	K 90/40	90	16	6,0°	65
225 006	K 140/40	140	28	4,0°	118
225 007	K 200/40	200	28	3,0°	173
225 008	K 300/40	300	28	2,0°	274
225 009	K 500/40	500	28	1,0°	474



