

COLLIMATORS

WITH DOUBLE MICROMETER

Description:

For a general description of the operating principle of collimators see page 6.

A collimator with double micrometer allows the setting of defined image angles in two directions.

The movement of the reticle in x- and y-direction in the focal plane is measured with measuring drums. The scale division (SD) is 5 μm .

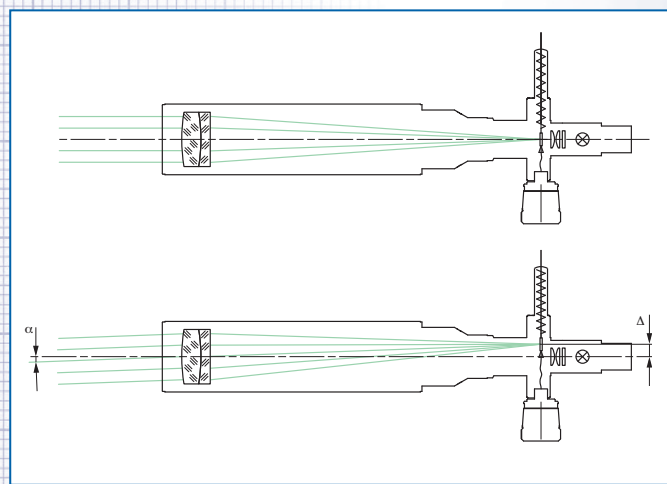
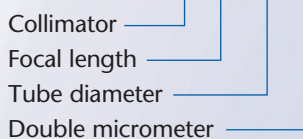
Application areas:

- Measurement of angular tilt (in conjunction with a telescope)
- Qualitative testing of the imaging properties of optical elements and systems

Notes on ordering:

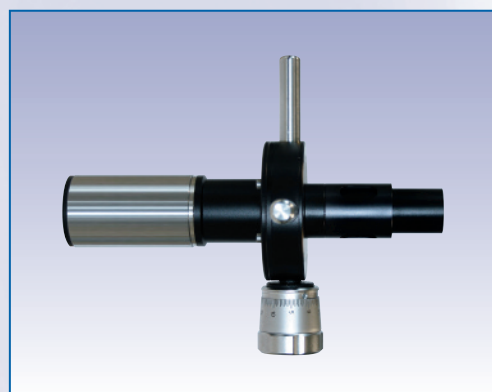
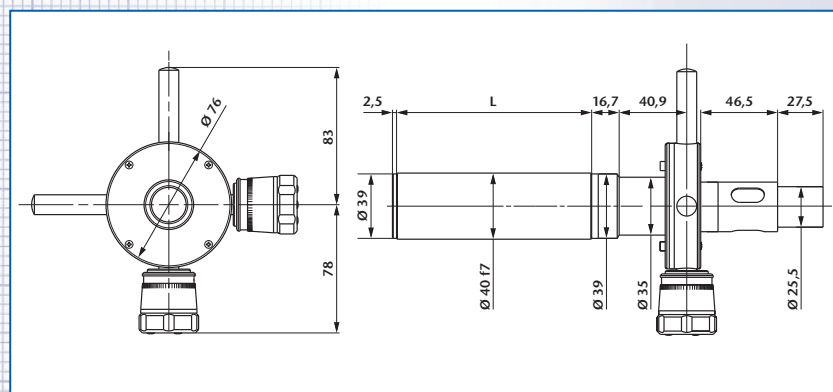
- One reticle and 6V/5W illumination w/cord are included.
- If not specified otherwise, the collimator is adjusted to infinity at 546 nm wavelength. Adjustment to other distances or other wavelengths is also possible on demand.
- The nomenclature of the collimators with double micrometer is as follows:

Example: K 50/ 40 MD



Important:

Please specify the reticle (see page 82) and illumination (LED-, bulb- or cold light, see page 81) when ordering.



Ord.-No.	Description	Focal length	Free aperture	Setting range	SD	L
225 281	K 50/40 MD	50	10	3,2°	20,0"	65
225 282	K 90/40 MD	90	16	2,0°	11,5"	65
225 283	K 140/40 MD	140	28	1,2°	7,5"	118
225 284	K 200/40 MD	200	28	0,8°	5,0"	173
225 285	K 300/40 MD	300	28	0,6°	3,5"	274
225 286	K 500/40 MD	500	28	0,4°	2,0"	474

