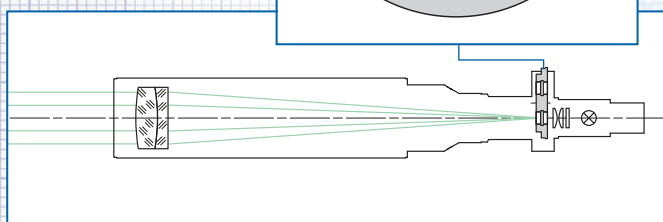
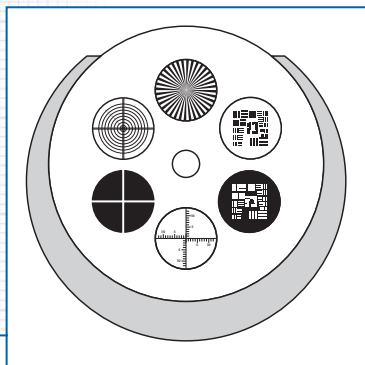


COLLIMATORS WITH RETICLE TURRET

Description:

For a general description of the operating principle of collimators see page 6.

A collimator with a reticle turret provides 6 selectable collimator reticles. The reticle turret allows a quick change of reticles for different measurement tasks.



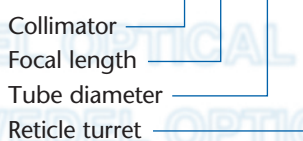
Application areas:

- Measurement of angular tilt (in conjunction with a telescope)
- Testing of the infinity setting of camera objectives
- Qualitative testing of the imaging properties of optical elements and systems

Notes on ordering:

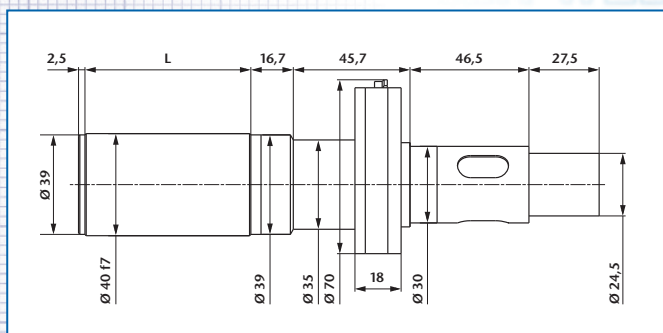
- Six reticles and 6V/5W illumination w/cord are included.
- In contrast to collimators with one reticle the optical axis of the collimator with reticle turret can not be adjusted to be co-linear with the mechanical axis.
- If not specified otherwise, the collimator is adjusted to infinity at 546 nm wavelength. Adjustment to other distances or other wavelengths is also possible on demand.
- The nomenclature of the collimators with reticle turret is as follows:

Example: K 50/ 40 SW



Important:

Please specify up-to six reticles (see page 82) and illumination (LED-, bulb- or cold light, see page 81).



Ord.-No.	Description	Focal length	Free aperture	Field of view	L
225 201	K 50/40 SW	50	10	10,0°	65
225 202	K 90/40 SW	90	16	6,0°	65
225 203	K 140/40 SW	140	28	4,0°	118
225 204	K 200/40 SW	200	28	3,0°	173
225 205	K 300/40 SW	300	28	2,0°	274
225 206	K 500/40 SW	500	28	1,0°	474

