

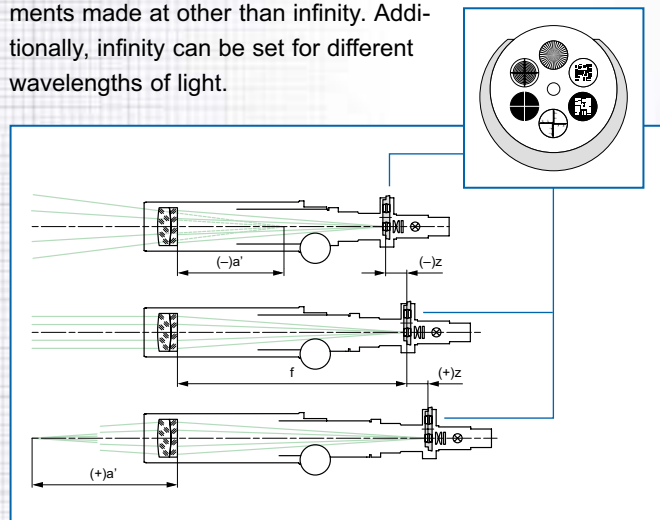
COLLIMATORS

FOCUS ADJUSTABLE – WITH RETICLE TURRET

Description:

For a general description of the operating principle of collimators see page 6.

An adjustable focus collimator with reticle turret provides 6 selectable collimator reticles and allows the distance between reticle and collimation objective to be adjusted for measurements made at other than infinity. Additionally, infinity can be set for different wavelengths of light.



Notes on ordering:

Six reticles and 6V/5W illumination w/cord are included. The nomenclature of the adjustable focus collimators with reticle turret is as follows:

Example: K V 90/ 40/ ±6 SW

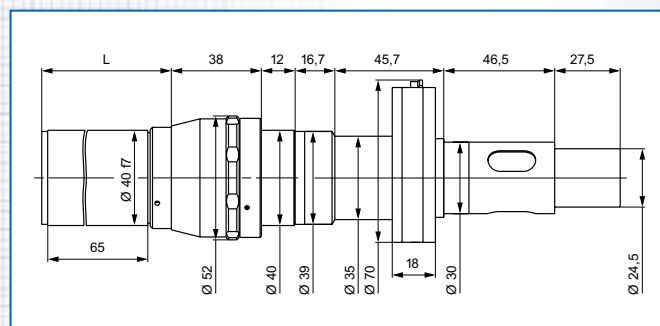
Collimator
Variable
Focal length
Tube diameter
Tube extension
Reticle turret

Important:

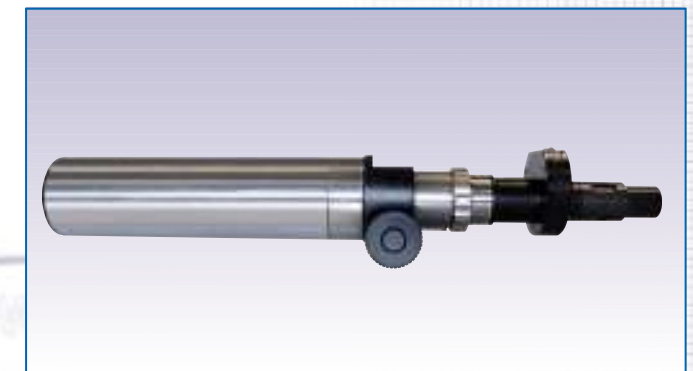
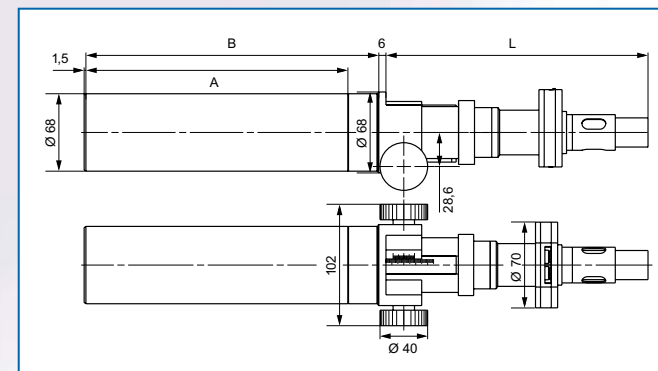
Please specify the reticle (see page 82) and illumination (LED-, bulb- or cold light, see page 81) when ordering.

Application areas:

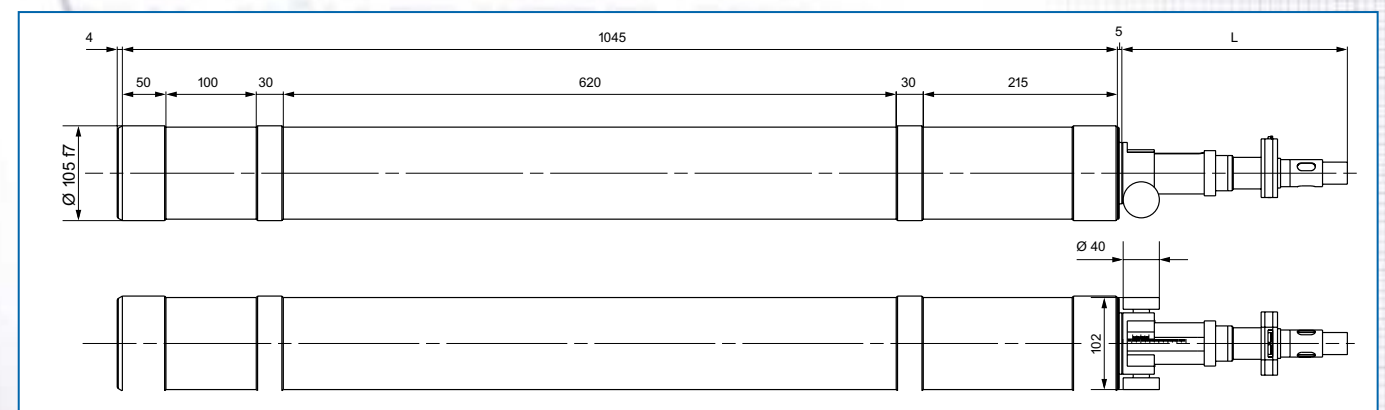
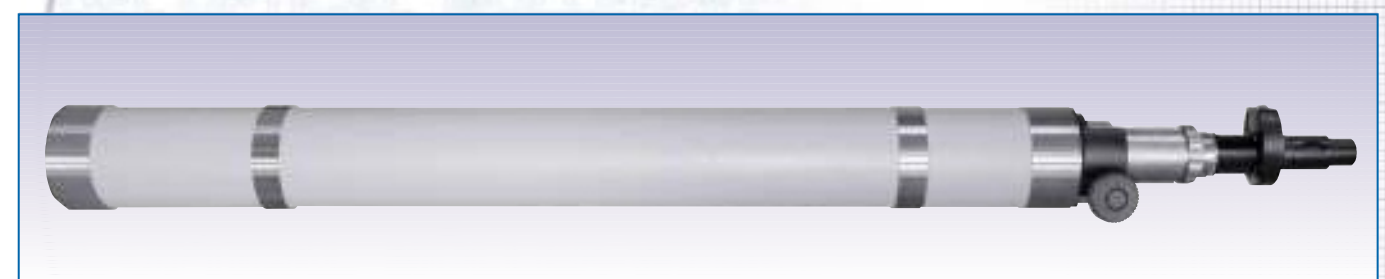
Testing of distance setting of optical instruments
Adjustment at different wavelengths of light



Ord.-No.	Description	Focal length	Free aperture	Tube extension	Field of view	Distance range	L
225 701	KV90/40/±6 SW	90	16	±6	6,0°	-∞...-1,25 m 1,40 m...+ ∞	77±6
225 702	KV90/40/+12 SW	90	16	∞ +12	6,0°	0,80 m...+	71 ⁺¹²
225 703	KV90/40/ -12 SW	90	16	-12	6,0°	-∞...-0,60 m	83 ⁻¹²
225 704	KV140/40/±6 SW	140	28	±6	4,0°	-∞...-3,10 m 3,30 m...+ ∞	77±6
225 705	KV140/40/+12 SW	140	28	∞ +12	4,0°	1,70 m...+	71 ⁺¹²
225 706	KV140/40/ -12 SW	140	28	-12	4,0°	-∞...-1,40 m	83 ⁻¹²



Ord.-No.	Description	Focal length	Free aperture	Tube extension	Field of view	Distance range	A	B	L
225 707	KV300/65/±25 SW	300	50	±25	2,0°	-∞...-3,4 m 3,8 m...+ ∞	220	245	220±25
225 708	KV 300/65/+50 SW	300	50	+50	2,0°	2,1 m...+	220	270	195 ⁺⁵⁰
225 709	KV 300/65/-50 SW	300	50	-50	2,0°	-∞...-1,5 m	220	220	245 ⁻⁵⁰
225 710	KV 500/65/±50 SW	500	50	±50	1,0°	-∞...-4,5 m 5,4 m...+ ∞	310	360	245±50
225 711	KV 500/65/+100 SW	500	50	+100°	1,0°	3,0 m...+	310	410	195 ⁺¹⁰⁰
225 712	KV 500/65/-100 SW	500	50	-100	1,0°	-∞...-1,5 m	310	310	295 ⁻¹⁰⁰



Ord.-No.	Description	Focal length	Free aperture	Tube extension	Field of view	Distance range	L
225 716	KV1100/105/±50 SW	1100	78	±50	0,5°	-∞...-23,70 m 25,80 m...+ ∞	250±50
225 717	KV1100/105/+100 SW	1100	78	+100	0,5°	13,20 m...+	250 ⁺¹⁰⁰
225 718	KV1100/105/ -100 SW	1100	78	-100	0,5°	-∞...-12,00 m	250 ⁻¹⁰⁰